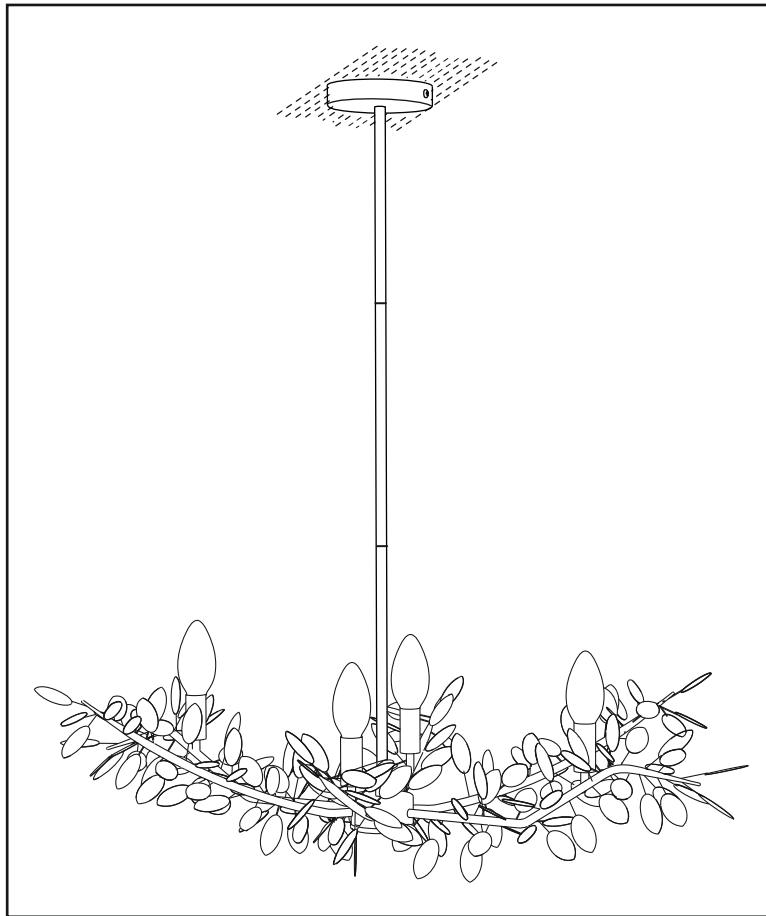


WORLD MARKET®

Assembly Instructions

CALLA WHITE LEAF 4 LIGHT CHANDELIER

SKU -618544



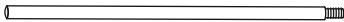


THANK YOU FOR YOUR PURCHASE. IF YOU HAVE ANY QUESTIONS PERTAINING TO THE ASSEMBLY OF THIS CHANDELIER, PLEASE CONTACT THE NEAREST WORLD MARKET STORE. IF YOU ARE NOT NEAR A STORE, PLEASE CALL OUR CUSTOMER SERVICE CALL CENTER TOLL FREE AT 877-967-5362 FOR ASSISTANCE.



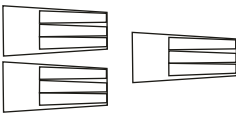
ALL PRODUCTS SOLD AT WORLD MARKET
ARE NOT FOR COMMERCIAL USE AND ARE INTENDED FOR
RESIDENTIAL USE ONLY

2022.06.30

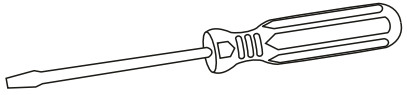
Component List

LABEL	COMPONENT	DESCRIPTION	QTY
A		CEILING CAP	1
B		BRACKET	1
C		PIPE	2

Hardware List

LABEL	COMPONENT	DESCRIPTION	QTY
H-1		LARGE SCREW M4 x 40mm	2
H-2		SMALL SCREW M4 x 16mm	2
H-3		PLASTIC WIRE CAP CONNECTOR	3

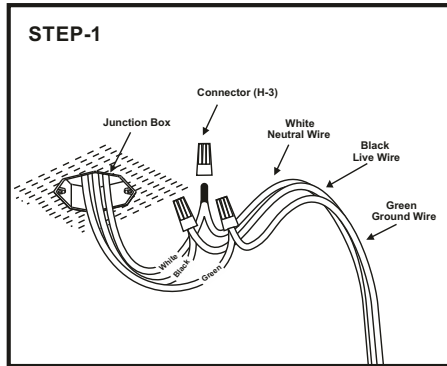
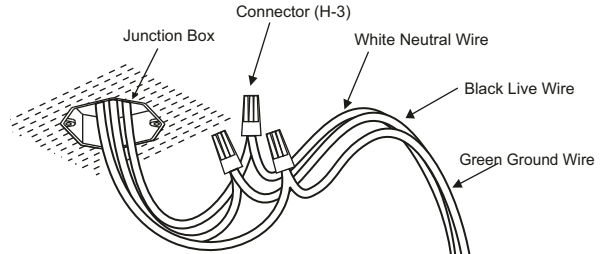
Tool List

LABEL	COMPONENT	DESCRIPTION	QTY
T-1		SCREWDRIVER	Not included

ELECTRICAL FITTING

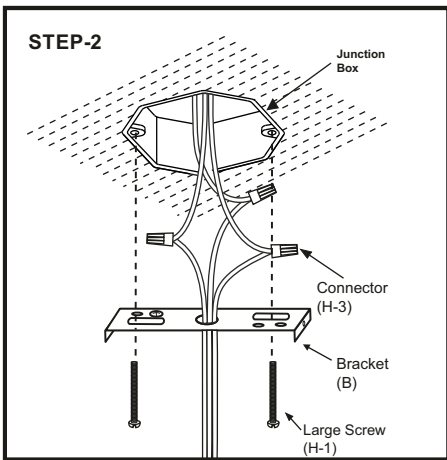
Professional installation recommended.

FOR YOUR SAFETY : Shut off the power to main electric circuit supply before beginning work. Lock out the circuit or the panel so the power can not be turned on while you are working. If handled improperly, electricity poses personal injury and fire hazards.



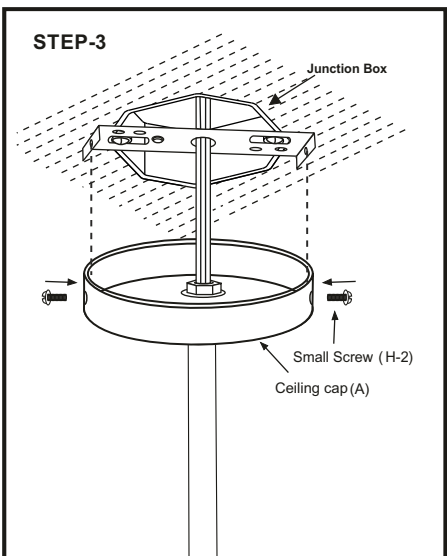
STEP-1

Connect the fixture's White Neutral Wire with the white wire in the junction box. Connect the fixture's Green Ground Wire to the ground wire in the junction box (usually green, but sometimes yellow or exposed copper). If no ground wire is available in junction box, insert fixture's ground wire through screw hole in Bracket (B). Connect fixture's Black Live Wire with the black wire in the junction box. Fasten each connection together with a Plastic Wire Cap Connector (H-3) and wrap the connectors with electrical tape (not included). Be sure that no wires are exposed.



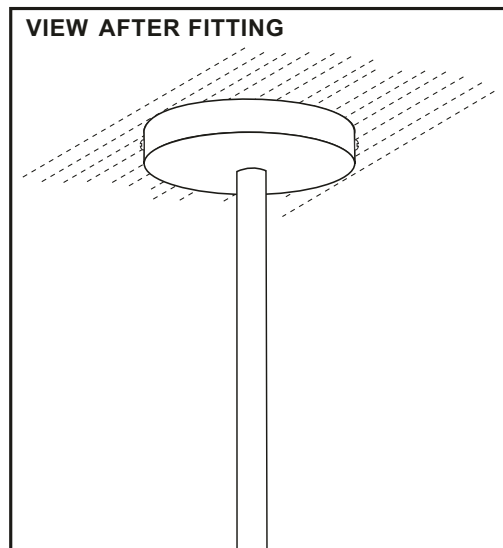
STEP-2

Align holes on the Bracket (B) over junction box and secure with Large Screw (H-1)

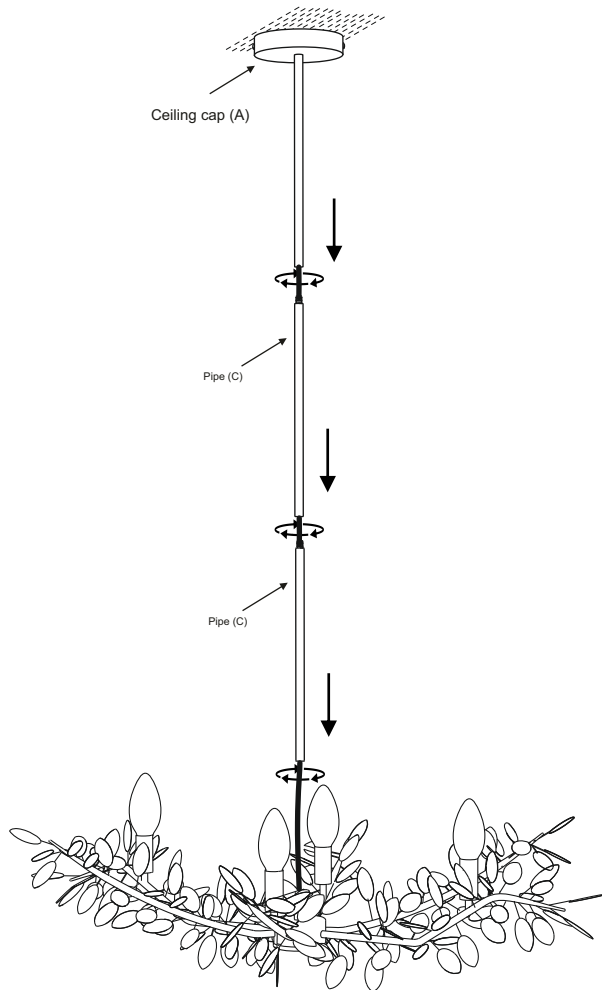


STEP-3

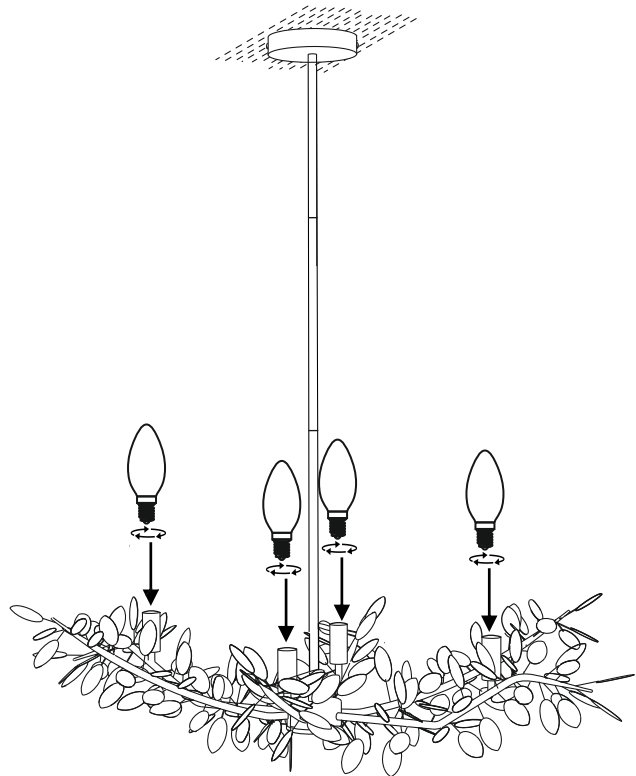
Place Ceiling Cap (A) over Bracket (B) such that side holes are aligned of Ceiling Cap (A) & Bracket (B). Insert Small Screw (H-2) into side holes and tighten with the screwdriver (T-1; Not Included).



ADJUST LENGTH & BULB INSTALLATION



To use the full length of the Chandelier, screw the additional Pipe (C) onto the Chandelier and Ceiling Cap (A) as shown.



Insert Bulbs (not included) into socket and rotate in clockwise direction to secure.
Assembly is complete.

CAUTION:

To prevent the risk of fire, do not use light bulb with wattage greater than 4x25W or CFL 5W Use Type B bulb with E12 base for this product.(NOTE: Bulb not included).

CARE AND MAINTENANCE:

Do not polish or clean fixture with harsh cleaners as it may damage the finish.

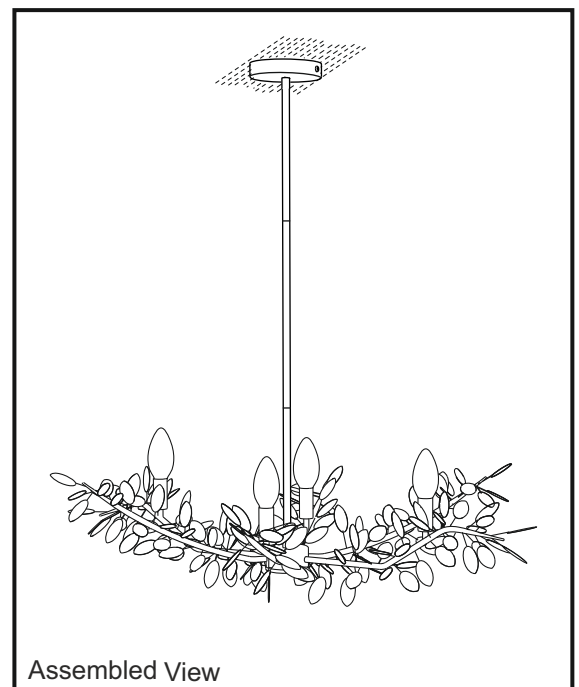
Do not place fixture outside, for indoor use only.

Not for commercial use, for residential use only.

Clean Dust and spills using a non-colored, lint free soft cloth.

WARNING:

Do not turn on lamp until light bulb is installed and assembly is complete.



Assembled View